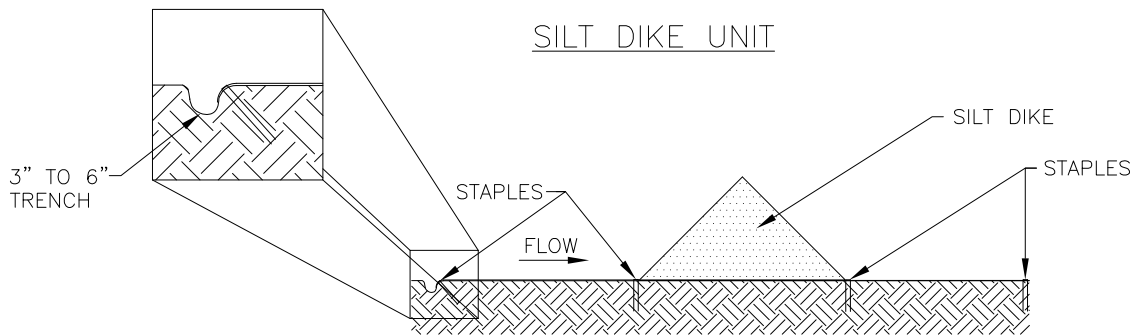
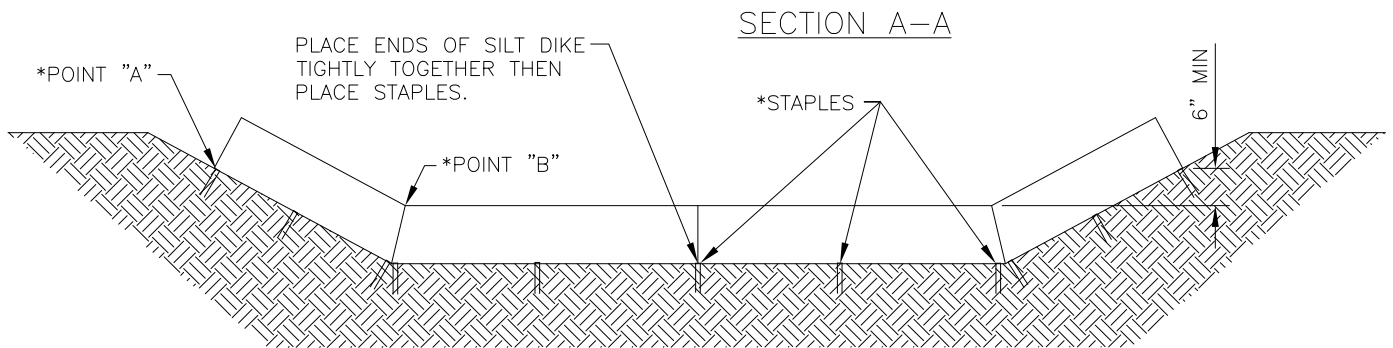


NOTES:
 1. IF PREMANUFACTURED SILT DIKE WAS CONSTRUCTED WITH ONLY 1 APRON FLAP, THE FLAP SHALL BE PLACED ON THE UPSTREAM SIDE OF THE SILT DIKE.



SILT DIKE UNIT



SECTION A-A

*POINT "A" MUST BE HIGHER THAN POINT "B" TO ENSURE THAT WATER FLOWS OVER THE DIKE AND NOT AROUND THE ENDS.

SECTION B-B

*STAPLES SHALL BE PLACED WHERE THE UNITS OVERLAP AND IN THE CENTER OF THE 7' UNIT AS SHOWN ON THE DIAGRAMS

SILT DIKE DETAIL
 (CHECK DAM)

NO SCALE

