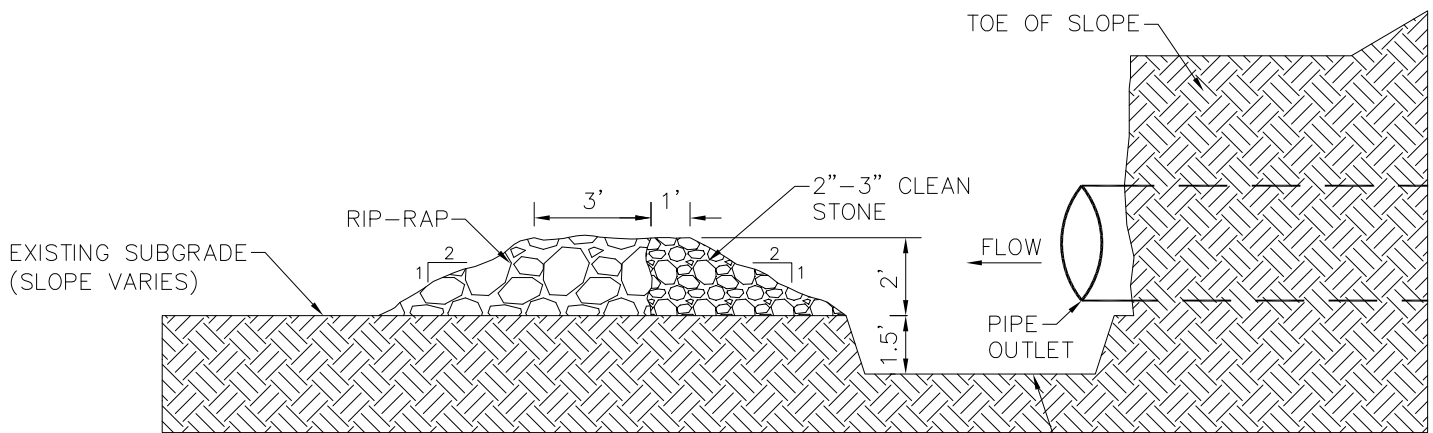


PLAN  
(HALF SIZE)



CROSS-SECTION  
(FULL SIZE)

# ROCK PIPE OUTLET PROTECTION DETAIL

NO SCALE

