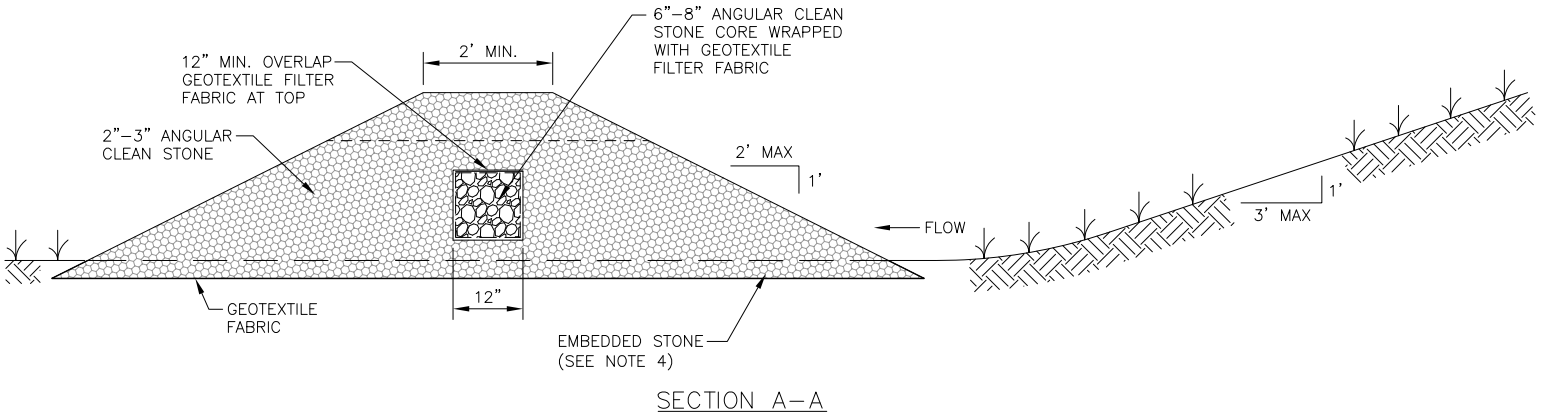
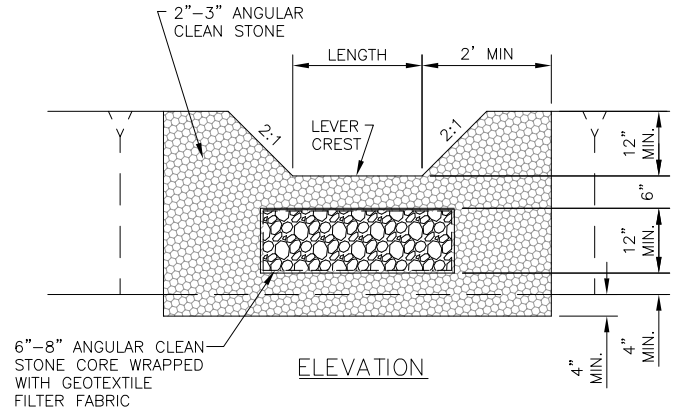
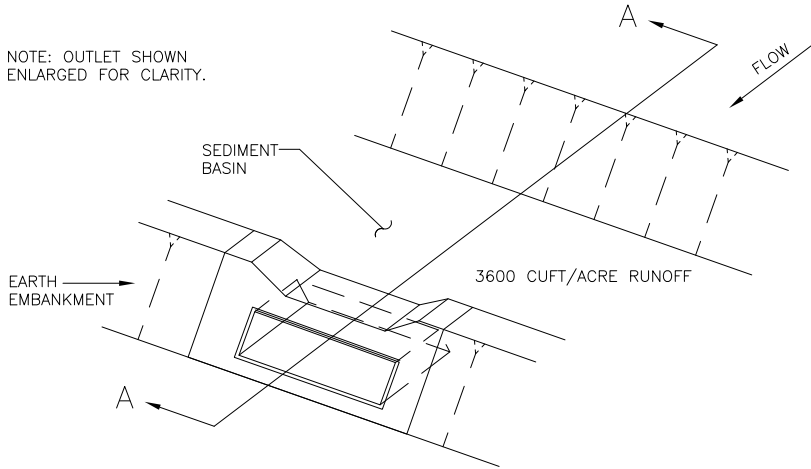


NOTE: OUTLET SHOWN ENLARGED FOR CLARITY.



GENERAL NOTES:

1. SPECIFY DIMENSIONS LIMIT OF EXCAVATION AND OUTLET LENGTH AND HEIGHT ON THIS OR ON THE CONSTRUCTION DRAWING.
2. GEOTEXTILE FILTER FABRIC.
3. MAINTAIN A MINIMUM 6" INCHES BETWEEN THE TOP OF CORE MATERIAL AND THE TOP OF THE STONE OUTLET, A MINIMUM OF 4" INCHES BETWEEN BOTTOM OF CORE MATERIAL AND EXISTING GROUND AND MINIMUM OF 1' FOOT BETWEEN THE TOP OF STONE OUTLET AND THE TOP OF EMBANKMENT.

4. ROCK SHALL BE EMBEDDED A MINIMUM OF 4" INCHES INTO THE EXISTING GROUND.
5. CORE SHALL BE A MINIMUM OF 1' FOOT IN HEIGHT AND IN WIDTH AND SHALL BE WRAPPED IN GEOTEXTILE FILTER FABRIC.
6. PONDING OF SEDIMENT LADEN RUNOFF IN SEDIMENT BASIN ACCOMPLISHED BY EMBANKMENT OR EXCAVATION DEPENDING ON TERRAIN, SHOW ON THIS OR REFERENCE CONSTRUCTION DRAWINGS FOR BASIN TYPE AND DIMENSIONS.
7. OUTLET ONTO STABILIZED AREA.
8. SIDE SLOPES SHALL BE 2:1 OR FLATTER.

SEDIMENT BASIN WITH STONE OUTLET DETAIL (SO)

NO SCALE