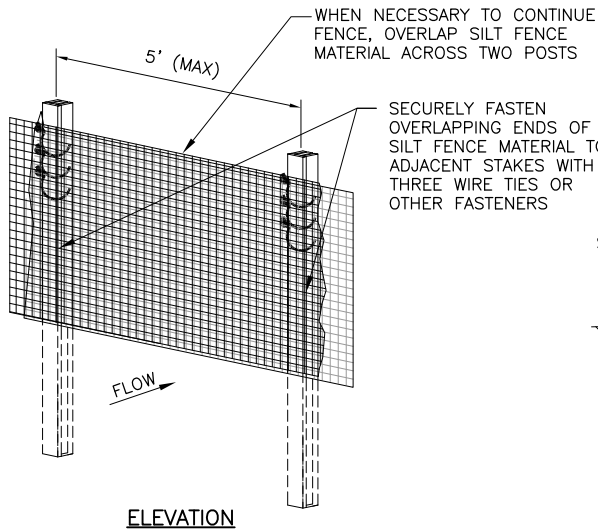


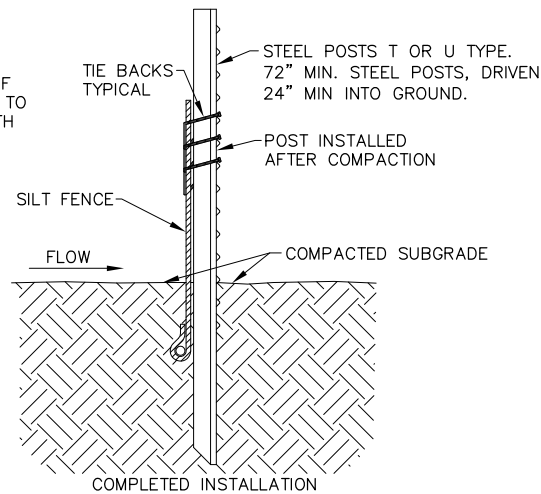
NOTE: VIBRATORY PLOW IS NOT ACCEPTABLE BECAUSE OF HORIZONTAL COMPACTION

POSTS: STEEL T OR U TYPE.

FABRIC: IN ACCORDANCE WITH ASTM D 6461 LATEST EDITION.



ELEVATION



SPECIFICATIONS FOR STATIC SLICING METHOD FOR SILT FENCE INSTALLATION

STATIC SLICING SHALL BE USED TO ANCHOR SILT FENCE FABRIC IN ORDER TO NOT USE THE WIRE BACKING:

1. SILT FENCE SHALL BE INSTALLED PER ASTM D-6462-03 LATEST EDITION.
2. INSTALL POSTS AT A MAXIMUM OF 5'-0" APART.
3. INSTALL POSTS AT A MINIMUM DEPTH OF 24" ON THE DOWNSTREAM SIDE OF THE SILT FENCE, AND AS CLOSE AS POSSIBLE TO THE FABRIC, ENABLING POSTS TO SUPPORT UPSTREAM WATER PRESSURE ON THE FABRIC.
4. INSTALL POSTS WITH THE NIPPLES FACING AWAY FROM THE SILT FENCE FABRIC.
5. ATTACH THE FABRIC TO EACH POST WITH THREE TIES, ALL SPACED WITHIN THE TOP 8" OF THE FABRIC. ATTACH EACH TIE DIAGONALLY 45 DEGREES THROUGH THE FABRIC, WITH EACH PUNCTURE AT LEAST 1" VERTICALLY APART. ALSO, EACH TIE SHOULD BE POSITIONED TO HANG ON A POST NIPPLE WHEN TIGHTENED TO PREVENT SAGGING.
6. WRAP APPROXIMATELY 6" OF FABRIC AROUND THE END POSTS AND SECURE WITH 3 TIES.
7. WHEN NECESSARY TO CONTINUE FENCE, OVERLAP SILT FENCE MATERIAL ACROSS TWO POSTS.
8. NO MORE THAN 24" OF A 36" FABRIC IS ALLOWED ABOVE GROUND LEVEL.
9. DRIVE POST A MINIMUM OF 24" INTO THE GROUND.
10. THE INSTALLATION SHOULD BE CHECKED AND CORRECTED FOR ANY DEVIATIONS BEFORE COMPACTION. USE A FLAT-BLADED SHOVEL TO TUCK FABRIC DEEPER INTO THE SLIT IF NECESSARY.
11. COMPACT THE SOIL IMMEDIATELY NEXT TO THE SILT FENCE FABRIC WITH THE FRONT WHEEL OF THE TRACTOR, SKID STEER, OR ROLLER EXERTING AT LEAST 60 POUNDS PER SQ. INCH. COMPACT THE UPSTREAM SIDE FIRST. COMPACT EACH SIDE TWICE FOR A TOTAL OF FOUR TRIPS.
12. MAINTENANCE SHALL BE PERFORMED AS NOTED IN THE SWPPP. DEPTH OF ACCUMULATED SEDIMENTS MAY NOT EXCEED ONE-HALF THE HEIGHT OF THE FENCE. MAINTENANCE CLEANOUT MUST BE CONDUCTED REGULARLY TO PREVENT ACCUMULATED SEDIMENTS FROM REACHING ONE-HALF THE HEIGHT OF THE FENCE ABOVE GRADE.
13. WHEN TWO SECTIONS OF SILT FENCE MATERIAL ADJOIN EACH OTHER THEY SHALL BE OVERLAPPED A MINIMUM OF 60" ACROSS TWO POSTS, AS SHOWN.
14. ADD POST CAPS AS NEEDED BASED ON SITE CONDITIONS AND APPLICABLE AGENCY REQUIREMENTS.

NON-WIRE BACKED SLICING METHOD
FOR SILT FENCE INSTALLATION DETAIL SFI

NO SCALE