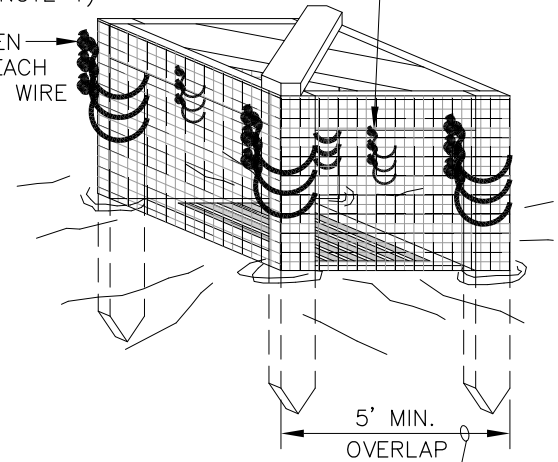
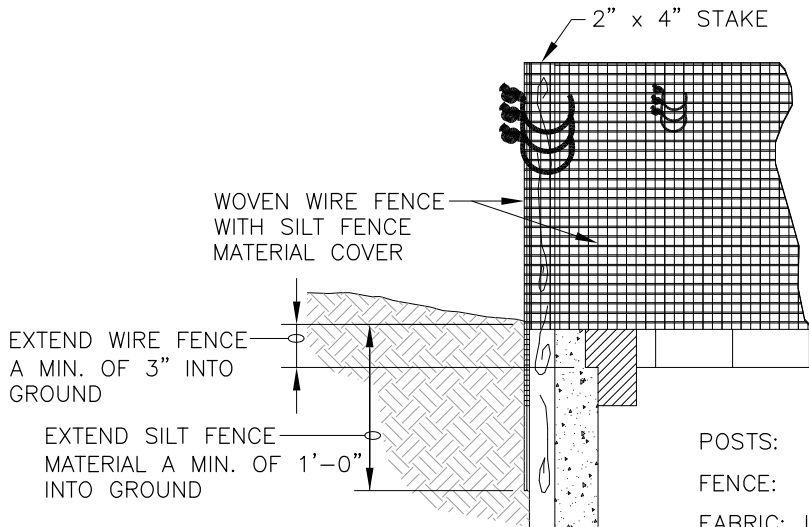


SILT FENCE MATERIAL TO BE FASTENED SECURELY TO WOVEN WIRE FENCE WITH THREE TIES SPACED AT 30" ON CENTER (SEE NOTE 1)

ATTACH THE WOVEN WIRE FENCE TO EACH POST WITH THREE WIRE TIES OR OTHER FASTENERS (SEE NOTE 1)



SECURELY FASTEN OVERLAPPING ENDS OF SILT FENCE MATERIAL TO ADJACENT STAKES WITH THREE WIRE TIES OR OTHER FASTENERS



POSTS: 2 X 4 WOODEN STAKE

FENCE: WOVEN WIRE, 14-1/2 GA., 6" MAX. MESH OPENING

FABRIC: IN ACCORDANCE WITH ASTM D 6461 LATEST EDITION.

1. ATTACH THE WOVEN WIRE FENCE TO EACH POST AND THE GEOTEXTILE TO THE WOVEN WIRE FENCE (SPACED EVERY 30") WITH THREE WIRE TIES OR OTHER FASTENERS, ALL SPACED WITHIN THE TOP 8" OF THE FABRIC. ATTACH EACH TIE DIAGONALLY 45 DEGREES THROUGH THE FABRIC, WITH EACH PUNCTURE AT LEAST 1" VERTICALLY APART.

2. WHEN TWO SECTIONS OF SILT FENCE MATERIAL ADJOIN EACH OTHER, THEY SHALL BE OVERLAPPED ACROSS TWO POSTS.

3. MAINTENANCE SHALL BE PERFORMED AS NOTED IN THE SWPPP. DEPTH OF ACCUMULATED SEDIMENTS MAY NOT EXCEED ONE-HALF THE HEIGHT OF THE FABRIC. MAINTENANCE CLEANOUT MUST BE CONDUCTED REGULARLY TO PREVENT ACCUMULATED SEDIMENTS FROM REACHING ONE-HALF THE HEIGHT OF THE SILT FENCE MATERIAL ABOVE GRADE.

4. ALL SILT FENCE INLETS SHALL INCLUDE WIRE SUPPORT.

SILT FENCE INLET PROTECTION DETAIL

NO SCALE

IP6