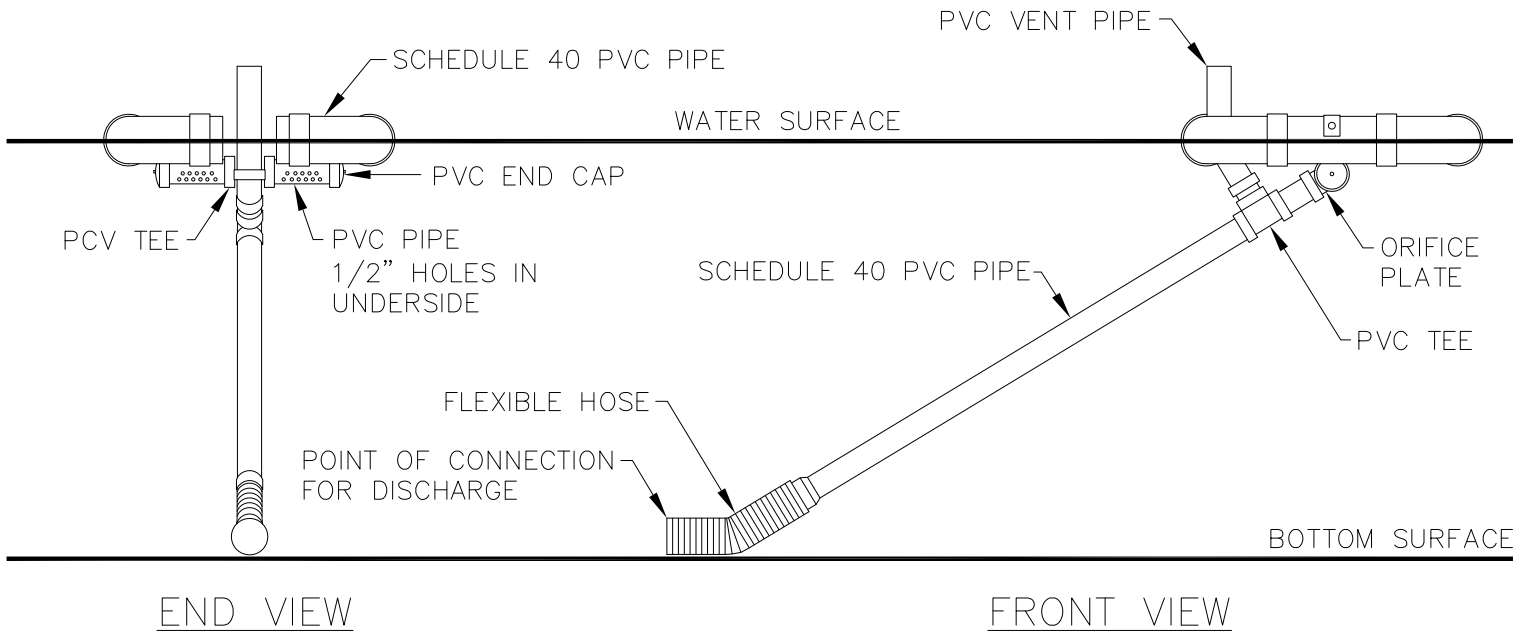
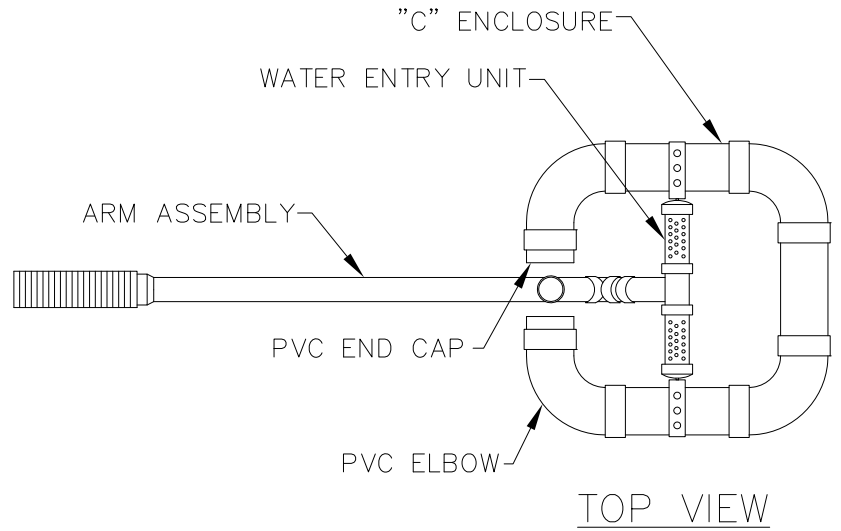


NOTES:

1. INSTALL, DEWATER, AND MAINTAIN PER MANUFACTURER'S SPECIFICATIONS.



# SEDIMENT BASIN SKIMMER DETAIL

NO SCALE

