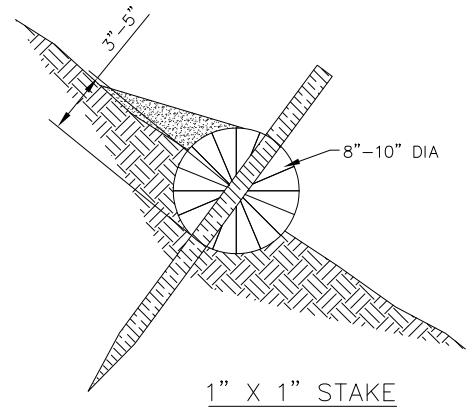
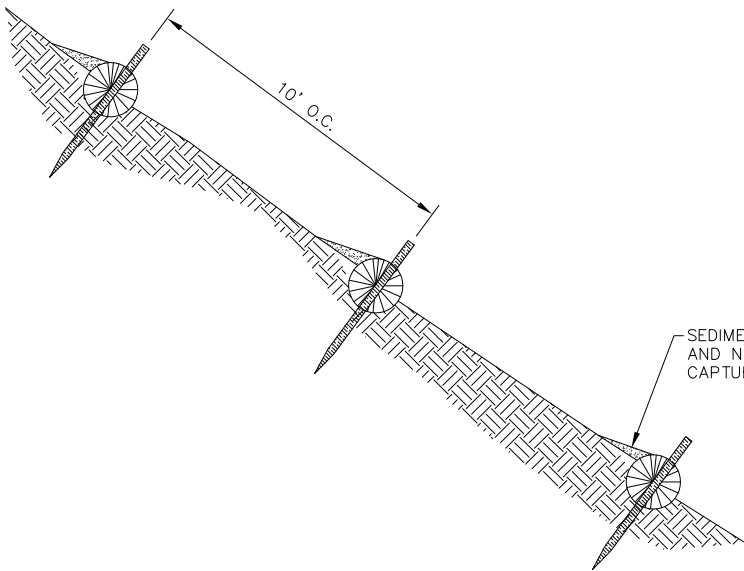
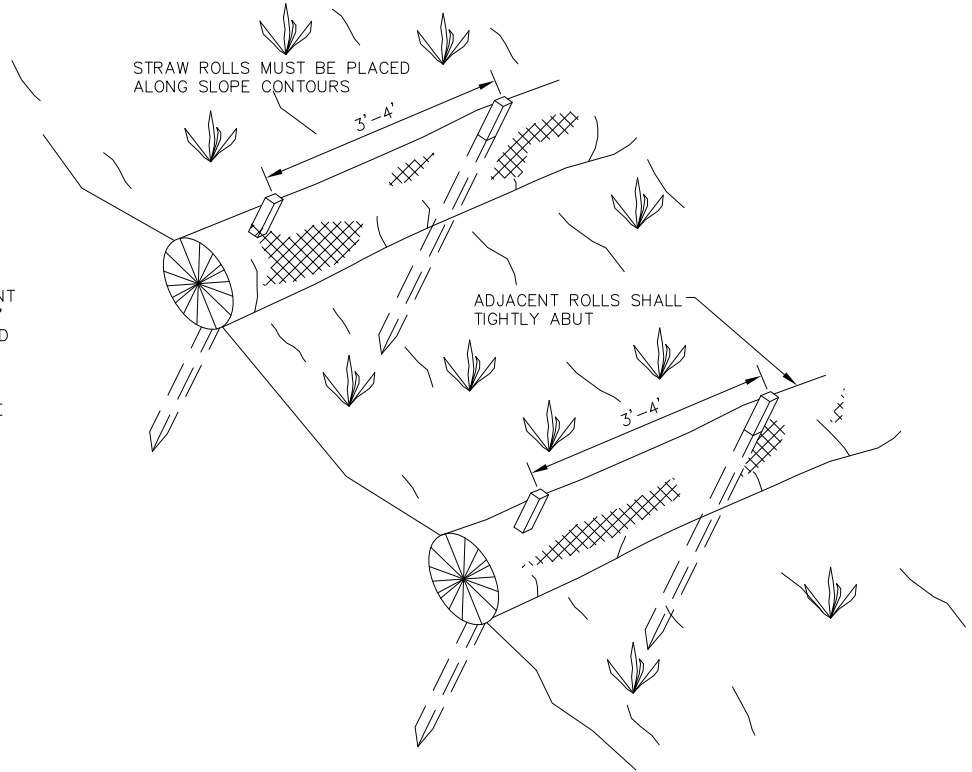


- NOTE:
1. STRAW ROLL INSTALLATION REQUIRES THE PLACEMENT AND SECURE STAKING OF THE ROLL IN A TRENCH, 3"-5" DEEP. DUG ON CONTOUR, RUNOFF MUST NOT BE ALLOWED TO RUN UNDER OR AROUND ROLL.
  2. IF WOODEN STAKES CANNOT BE USED BECAUSE OF ROCK THEN REBAR MAY BE USED, BUT WILL HAVE TO BE REMOVED ONCE SLOPE IS STABILIZED.



WATTLE DETAIL (TRENCHED IN)  
NO SCALE